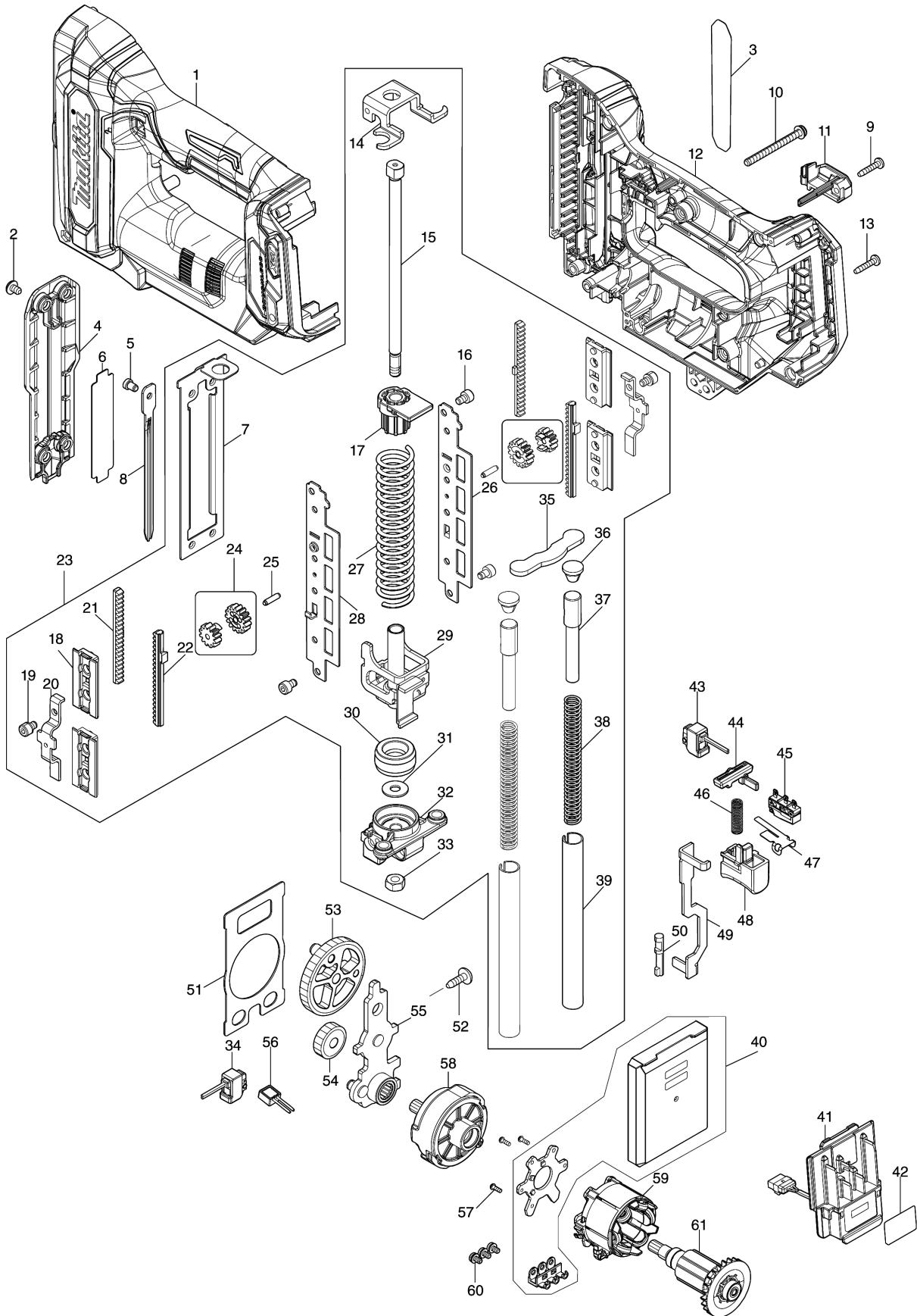
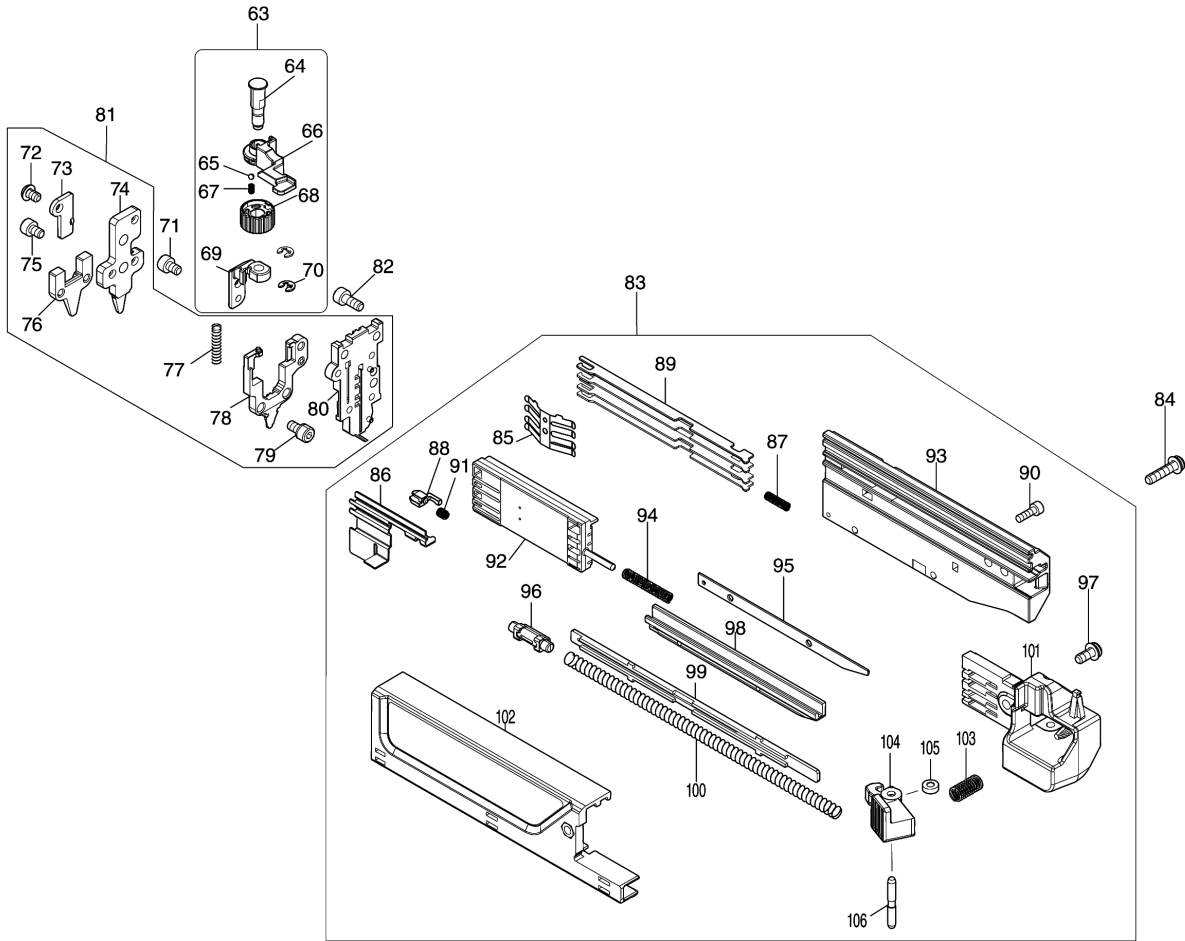


Model No.PT001G CORDLESS PIN NAILER



Model No.PT001G CORDLESS PIN NAILER



Model No.PT001G CORDLESS PIN NAILER

Položaj	Številka dela	Opis	Sprememba	Količina	New/Old	Opcijsko 1	Opcijsko 2	Opomba
001	183V33-3	HOUSING SET		1				
C10	263005-3	Gumi zatič 6		2				
C20	252126-6	Šesterokotna matica M4-7 MT070		2				
C30	931102-0	Šesterokotna matica M4		1				
C40	8007R2-2	XGT LOGO LABEL		1				
D10		INC. 12						
002	915101-0	BINDING HEAD SCREW M4X6		4				
003	8116E5-4	PT001G NAME PLATE		1				
004	413D63-5	FRONT COVER		1				
005	256882-0	FLAT FILLISTER HD. PIN 4		1				
006	347528-0	UPPER PLATE		1				
007	347933-1	RAIL		1				
008	347935-7	DRIVER		1				
009	266130-9	Samovrezni vijak PT 3X16 6935FD		1				
010	911173-3	Vijak z nizko cilindrično glavo M4X45		1				
011	413D62-7	HOUSING R COVER		1				
012	183V33-3	HOUSING SET		1				
C10	263005-3	Gumi zatič 6		2				
C20	252126-6	Šesterokotna matica M4-7 MT070		2				
C30	931102-0	Šesterokotna matica M4		1				
C40	8007R2-2	XGT LOGO LABEL		1				
D10		INC. 1						
013	266130-9	Samovrezni vijak PT 3X16 6935FD		9				
014	347936-5	BOTTOM PLATE		1				
015	327939-5	GUIDE BOLT		1				
016	266199-3	Inbus vijak M4x6		4				
017	313406-6	BOTTOM HOLDER		1				
018	413330-4	COUNTER WEIGHT HOLDER		4				
019	251566-5	H.S.H BOLT M4X6 WITH W		2				
020	347146-4	PINION GUIDE		2				
021	313421-0	COUNTER WEIGHT A		2				
022	310925-3	COUNTER WEIGHT B		2				
023	136695-4	COUNTER WEIGHT ASS'Y		1				
D10		INC. 7,14-22,24-33,35-39						
024	136104-3	SPUR GEAR ASSEMBLY		2				
025	326902-5	PINION SHAFT		2				
026	347938-1	GUIDE RAIL L		1				
027	232741-2	COMPRESSION SPRING 17		1				
028	347939-9	GUIDE RAIL R		1				
029	347937-3	HAMMER		1				

Please order the parts with part number.

Print Date 18/7/2022

Model No.PT001G CORDLESS PIN NAILER

Položaj	Številka dela	Opis	Sprememba	Količina	New/Old	Opcijsko 1	Opcijsko 2	Opomba
030	422457-9	CUSHION		1				
031	253804-1	Ploska kovinska podložka 6 LS1040		1				
032	312C49-9	HOLDER		1				
033	252273-3	HEX. NUT M6		1				
034	140W22-7	SWITCH COMPLETE		1				
035	347729-0	COUNTER STOPPER		1				
036	422592-3	COUNTER CUSHION		2				
037	327942-6	WEIGHT		2				
038	232630-1	COMPRESSION SPRING 7		2				
039	327943-4	GUIDE PIPE		2				
040	620H97-7	CONTROLLER		1				
C10	688163-8	LINE FILTER		1				
C20	688164-6	Linjski filter za enosmerno napetost		1				
041	632R99-1	TERMINAL UNIT		1				
042	8116F2-7	PT001G SERIAL NO. LABEL		1				
043	140W22-7	SWITCH COMPLETE		1				
044	456799-9	TRIGGER LOCK		1				
045	632S31-1	SWITCH UNIT		1				
046	232370-1	COMPRESSION SPRING 5		1				
047	232672-5	LEAF SPRING		1				
048	413328-1	TRIGGER		1				
049	347932-3	LOCK ARM		1				
050	327941-8	LOCK PIN		1				
051	347934-9	GEAR PLATE		1				
052	266901-4	TAPPING SCREW 4X14		1				
053	141G69-8	SPUR GEAR 61 COMPLETE		1				
054	226892-1	SPUR GEAR 25		1				
055	141G70-3	BASE PLATE COMPLETE		1				
056	620507-6	LED CIRCUIT		1				
057	266490-9	TAPPING SCREW PT 2X6		3				
058	122B56-6	GEAR ASSEMBLY		1				
059	629A99-8	STATOR		1				
060	652069-6	FLAT HEAD SCREW M3X6		3				
061	619727-7	ROTOR		1				
063	136663-7	ADJUSTER ASSEMBLY		1				
D10		INC. 64-70						
064	327940-0	ADJUSTER SHAFT		1				
065	216031-1	STEEL BALL 2.3		1				
066	413D64-3	CONTACT ARM		1				
067	234254-9	COMPRESSION SPRING 2		1				
068	413D61-9	ADJUSTER		1				

Model No.PT001G CORDLESS PIN NAILER

Položaj	Številka dela	Opis	Sprememba	Količina	New/Old	Opcijsko 1	Opcijsko 2	Opomba
069	313405-8	ARM		1				
070	961017-7	Zaporno tesnilo E-3		2				
071	922102-1	Inbus vijak M4X6 BPT350		1				
072	265C44-7	H.L.BUTTON HEAD BOLT M4X6		1				
073	347929-2	SPRING COVER		1				
074	141G71-1	DRIVER GUIDE COVER COMPLETE		1				
075	922102-1	Inbus vijak M4X6 BPT350		3				
076	313404-0	CONTACT TOP COVER		1				
077	232740-4	COMPRESSION SPRING 3		1				
078	141D51-9	CENTER PLATE COMPLETE		1				
079	922106-3	Inbus vijak M4X8 JR1000FT		2				
080	141D52-7	DRIVER GUIDE COMPLETE		1				
081	122B55-8	DRIVER GUIDE ASSEMBLY		1				
D10		INC. 72-80						
082	922112-8	Inbus vijak M4X10 BHX2501		3				
083	136657-2	MAGAZINE ASSEMBLY		1				
D10		INC. 85-106						
084	911133-5	Vijak z nizko cilindrično glavo M4X18		2				
085	232362-0	LEAF SPRING		1				
086	347138-3	PUSHER		1				
087	232367-0	COMPRESSION SPRING 3		4				
088	310176-8	STOPPER		1				
089	346239-4	Nail stopper BPT350		4				
090	266177-3	Inbus vijak M3x10		2				
091	233018-8	Tlačna spiralna vzmet 3		1				
092	457382-5	NAIL GUIDE HOLDER		1				
093	458195-7	MAGAZINE		1				
094	233459-8	Tlačna spiralna vzmet 3		1				
095	347137-5	SPACER		1				
096	457383-3	SHOULDER PIN 5-6		1				
097	911113-1	Vijak z nizko cilindrično glavo M4x10		1				
098	144335-0	LOWER RAIL COMPLETE		1				
099	457387-5	SPRING COVER		1				
100	232366-2	COMPRESSION SPRING 5		1				
101	457381-7	SLIDE DOOR CAP		1				
102	457380-9	UPPER RAIL		1				
103	233117-6	Tlačna spiralna vzmet 6		1				
104	413329-9	LEVER		1				
105	262054-7	Poliuretanski obroč 3		1				
106	256793-9	PIN 3		1				

Model No.PT001G CORDLESS PIN NAILER

Položaj	Številka dela	Opis	Sprememba	Količina	New/Old	Opcijsko 1	Opcijsko 2	Opomba
A02	251314-2	Vijak M4x12		1				
A03	346317-0	Obešalni kavelj vijačnika		1				
A04	422844-2	NOSE ADAPTER		2				
A05	783201-2	Inbus ključ 3 AF500HP		1				
A06B	821834-6	PLASTIC CASE		1				
C10	162302-3	Žpiralo za HR2610		2				
A07B	835V71-8	INNER TRAY		1				
A08B	8049B0-8	PT001GD101 PLASTIC CASE LABEL		2				
A09B	***DC40RA	DC40RA FAST CHARGER		1				
D10		COMPO-PARTS						
A10B	191B36-3	BATTERY BL4025 SET		1				

Please order the parts with part number.

Print Date 18/7/2022